

PAINT SPRAYING SPINDLE

05334

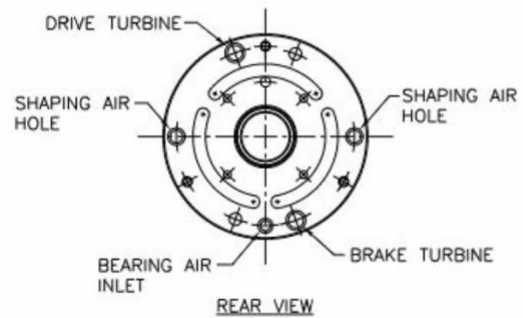
A COMPLETE RANGE OF
HIGH-SPEED ATOMISER SPINDLES
FOR PAINTING APPLICATIONS

INDUSTRY LEADERS FOR OEM
AUTOMOTIVE PAINT LINES

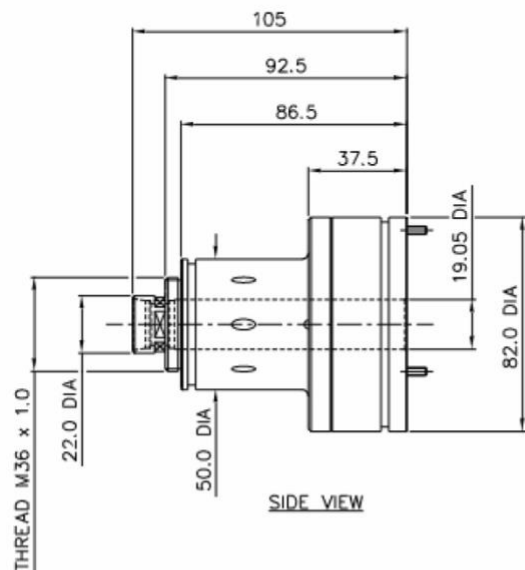
FULLY CUSTOMISABLE TO MEET ANY
SPECIFICATION REQUIREMENT

Integrated shaping air feed?	yes
Bell max diameter	70 mm
Speed Range	80,000 rpm unloaded, 60,000 rpm with 60,000cc/ min of paint
Bearing Air Supply Pressure	5.5 bar
Bearing Air Flow	80 l/min
Turbine Air Flow	325 l/min
Taper Runout at Tool	≤ 1 µm
Weight (Approx)	1 kg
Body Diameter (nominal)	82 mm
Spindle Length	105 mm

- **ECONOMIC OPERATION:**
MINIMISES AIR CONSUMPTION FOR
COST-EFFECTIVE PERFORMANCE.
- **PRECISION ENGINEERING:**
LIGHTWEIGHT AND COMPACT, PERFECT FOR
ROBOTIC ARM APPLICATIONS.
- **UNMATCHED RELIABILITY:**
DESIGNED FOR MINIMAL DOWNTIME AND
MAXIMUM UPTIME.
- **LONG-LASTING DURABILITY:**
NON-CONTACT AIR BEARING DESIGN
COATINGS ENSURE EXTENDED PRODUCT LIFE.
- **VERSATILE APPLICATION:**
COMPATIBLE WITH WATER AND SOLVENT
BASED PROCESSES.
- **TURBOCHARGED EFFICIENCY:**
ACCELERATES AND BRAKES SWIFTLY FOR
INCREASED PRODUCTIVITY.
- **SUPERIOR ATOMISATION:**
DELIVERS ENHANCED PERFORMANCE WITH
INTEGRATED SPEED FEEDBACK.



REAR VIEW



SIDE VIEW

Tel: +44 (0) 1202 894447
Web: www.loadpoint.co.uk